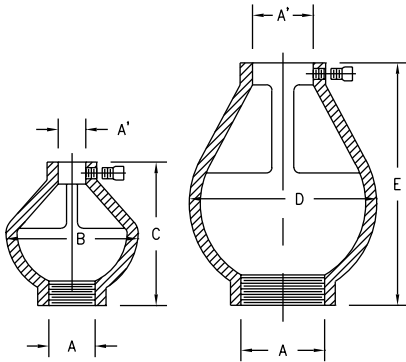


**Z1024 FIXED AIR GAP**



**ENGINEERING SPECIFICATION**

Zurn Z1024 fixed air gap features Dura-Coated cast iron body with slip joint inlet and NPT outlet.



Product Designation	Dimensions in inches [mm]					Approximate Weight lb [kg]
	A' x A SJ x N.P.T.	B	C	D	E	
-1	1/4 [6] x 3/4 [19]	3 [76]	3-1/4 [83]	-	-	1 [0.5]
-2	1/2 [13] x 3/4 [19]	-	-	4-1/4 [108]	5-1/2 [140]	3 [1]
-3	1/2 [13] x 1 [25]	-	-			
-4	3/4 [19] x 1-1/2 [38]	-	-			
-5	1 [25] x 1-1/2 [38]	-	-			

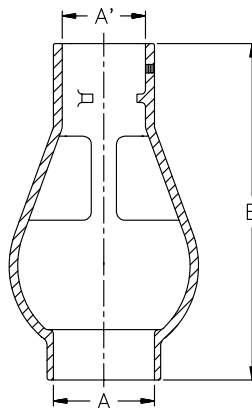
PREFIXES	DESCRIPTION	PRODUCT DESIG.	PIPE SIZE/OUTLET TYPE	LIST PRICE
<b>Z1024*</b>	D.C.C.I. Body	-1	1/4SJ x 3/4N.P.T.	<b>314.00</b>
		-2	1/2SJ x 3/4N.P.T.	<b>314.00</b>
		-3	1/2SJ x 1N.P.T.	<b>343.00</b>
		-4	3/4SJ x 1-1/2N.P.T.	<b>436.00</b>
		-5	1SJ x 1-1/2N.P.T.	<b>436.00</b>
<b>SUFFIXES</b>				<b>ADD</b>
<b>-G</b>	Galvanized Cast Iron			<b>206.00</b>
<b>BEST SELLER</b>				<b>LIST PRICE</b>
		Z1024-5		<b>436.00</b>

**Z1025 FIXED AIR GAP**



**ENGINEERING SPECIFICATION**

Zurn Z1025 fixed air gap features Dura-Coated cast iron body with slip joint inlet and no-hub outlet.



Product Designation	Dimensions in inches [mm]		Approximate Weight lb [kg]
	A' x A SJ x NH	B	
-2	1-1/2 [38] x 2 [51]	10 [254]	4 [2]
-3	2 [51] x 3 [76]		8 [4]
-4	3 [76] x 4 [102]		20 [9]
-6	4 [102] x 6 [152]		32 [15]

PREFIXES	DESCRIPTION	PRODUCT DESIG.	PIPE SIZE/OUTLET TYPE	LIST PRICE
<b>Z1025*</b>	D.C.C.I. Body	-2	1-1/2SJ x 2NH	<b>302.00</b>
		-3	2SJ x 3NH	<b>365.00</b>
		-4	3SJ x 4NH	<b>532.00</b>
		-6	4SJ x 6NH	<b>1,253.00</b>
<b>ZARB1025</b>	All Plain Bronze Body	-2	1-1/2SJ x 2NH	<b>660.00</b>
		-3	2SJ x 3NH	<b>990.00</b>
		-4	3SJ x 4NH	<b>1,302.00</b>
		-6	4SJ x 6NH	<b>3,531.00</b>
<b>SUFFIXES</b>				<b>ADD</b>
<b>-G</b>	Galvanized Cast Iron			<b>206.00</b>
<b>BEST SELLERS</b>				<b>LIST PRICE</b>
		Z1025-2		<b>302.00</b>
		Z1025-4		<b>532.00</b>

INTRO  
ROOF DRAINS  
FLOOR DRAINS  
T, P, BW VALVES  
INTERCEPTORS  
CARRIERS  
HYDRANTS  
CLEANOUTS  
WHA  
SS DRAINS  
FAB SS DRAINS  
SANI-FLOOR  
TECH INFO